

JOB NAME _____
ARCHITECT _____
ENGINEER _____
CONTRACTOR _____
LOCATION _____

Submittal Sheet
L.A.D.
Linear Antistrat
Diffuser

LINEAR ANTISTRAT DIFFUSER

The **L.A.D.** (Linear Antistrat-Diffuser) is a thermally powered bi-directional outlet that automatically changes from a two slot "Horizontal Cooling" position to an adjustable single slot "Vertical Heat" position. This is achieved by an adjustable Bi-Metallic Coil" attached to a uniquely designed center diffusion blade, utilizing a single moving part configuration.

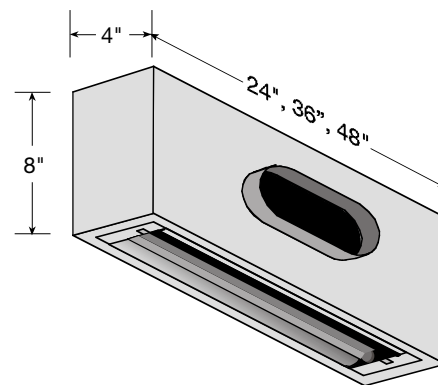
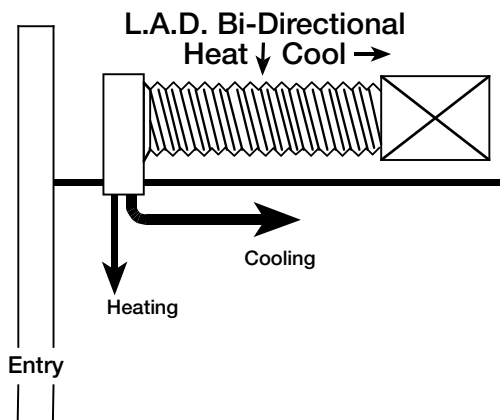
Features:

1. Construction: 24 ga. electro-galvanized steel
2. Controls: Self-contained, thermally actuated control
3. Models available:
 - 24" with 8" oval inlet
 - 36" with 9" oval inlet
 - 48" with 10" oval inlet
4. Options:
 - 1/2" black matte insulation
 - Surface mount frames
5. Finish: Baked white enamel or Satin Black

L.A.D. 2, 3 & 4 ft. Linear Diffuser

- Horizontal Cool Air / Vertical Warm Air Throw
- Adjustable Cool Air Discharge Opening
- Adjustable Warm Air Volume / Full Closed Minimum
- Bi-Metallic Thermostatic Blade Control

DIMENSIONAL DATA



PERFORMANCE AIR PRODUCTS, INC.

102 Kimball Ave., Unit #16, So. Burlington, VT 05403 • 802/859-0471 • FAX 802/859-0473 • 800/852-1624

Performance Air Products, Inc., warrants the thermal diffuser for a period of 10 years. The diffusers shall be free from defects in material and workmanship. We agree to repair or replace any defective parts. This warranty excludes shipping charges and field labor required to exchange, test or service the diffuser.